



**KNIGHT GLOBAL**  
CREATING A NEW STANDARD



GM Handles  
Control the  
Situation



**Control Handles**



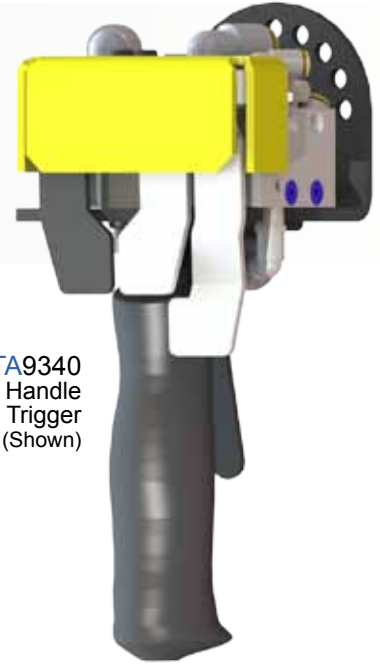
VER. 09/12

# Knight GM Control Handles

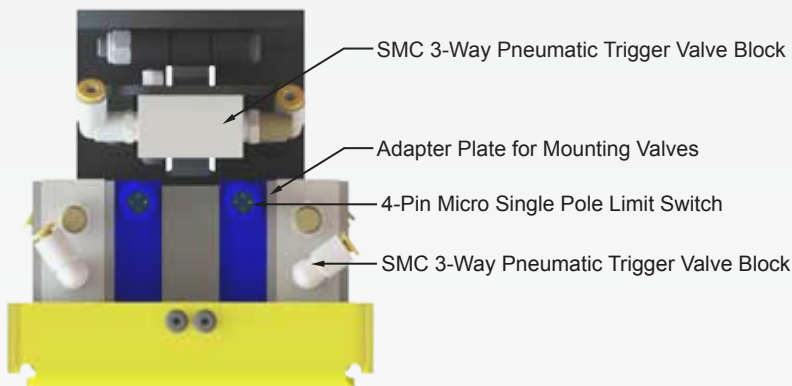
Knight Global's GM Control Handles are designed to meet GM requirements for ergonomics and design. Each handle is equipped with Black and White powder coated levers to meet the GM Global specification. The GM Control Handle Series modular design allows for various Electric and Pneumatic Push Button and Trigger configurations.

## GM Series Features

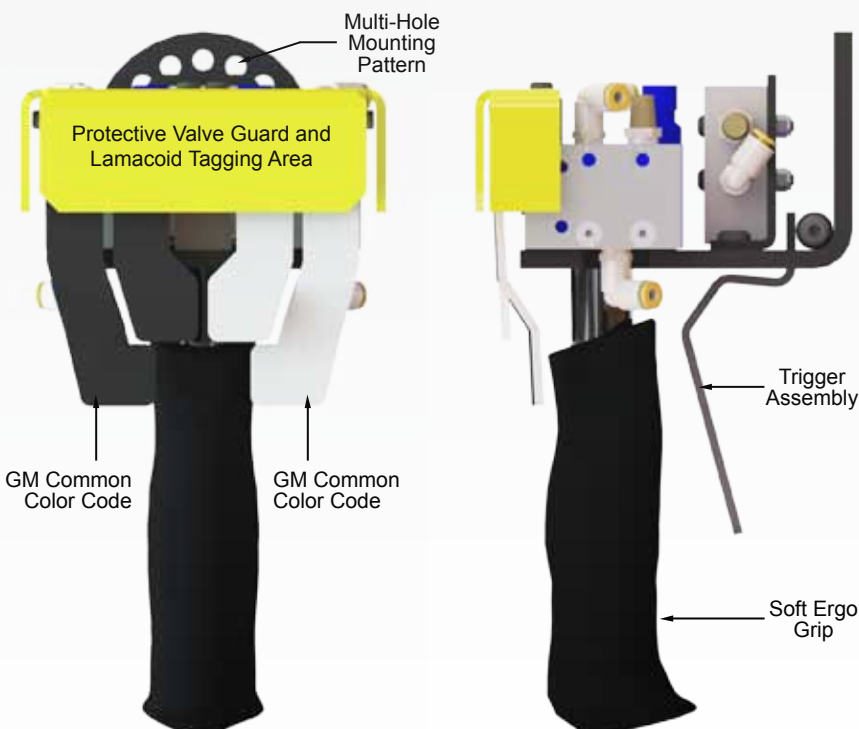
- Meets GM requirements for Ergonomics and Design.
- Powder Coated Black/ White Levers (GM Global Spec).
- Knight Ergonomic Grip.
- Modular construction allows for various pushbutton configurations.
- Protective "Yellow" Valve Guard
- Guard can be used for Lamacoid Tags which eliminates the need for individual callout stampings.
- Multi-hole mounting pattern.
- Optional Trigger Lever
- Lighter weight than most other handles in the market.



**GMBPTA9340**  
Pneumatic Control Handle  
w/ Pneumatic Trigger  
(Shown)



Lamacoid Tags



Knight Global developed this series of control handles specifically for General Motors. They meet and exceed all GM and GM Global specifications and requirements for use. For more information on the GM Series Control Handles or similar control handles, please contact a Knight representative.

# GM Control Handle Specifications

Each GM Control Handle is configured with a [SMC 3-Way Pneumatic Valve Block](#), [4-Pin Micro Single Pole Limit Switch](#) or a combination of both. Each GM Series Control Handle can be equipped with a pneumatic or electric trigger lever for optimum ergonomics or as a fifth button. Movements are controlled by utilizing either a pneumatic valve block or a electric single pole limit switch that are available in multiple pilot signal configurations.

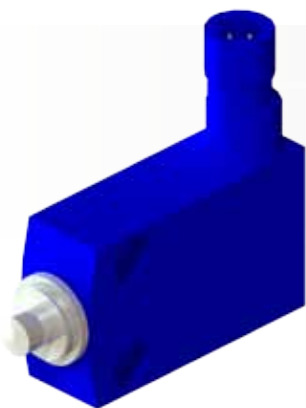
## Common Pilot Signals

- UP and DOWN
- Retract and Extend
- Tilt
- Low
- Forward and Reverse
- Part and NO Part
- Tilt UP and DOWN
- VAC On and Off
- Clamp and Unclamp
- Rotate
- Brake
- Common
- Push Off
- High
- Track Dog Off and On
- Track Dog
- Start/ Stop
- Part



### SMC 3-Way Pneumatic Valve

The SMC 3-Way Pneumatic Valve Block can be configured for sending common pilot signals and for UP/DOWN movements for a single acting balancer or lift assist.



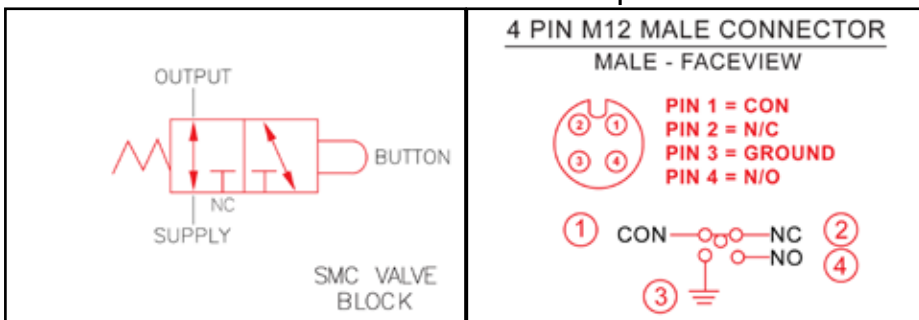
### 4-Pin Micro Single Pole Limit Switch

The 4-Pin Micro Single Pole Limit Switch has 1-N/O (Normally/Open) and 1- N/C (Normally/Closed) contacts that are used for sending pilot signals.

\* For more detailed information on GM Control Handles and available configurations. Please visit [www.knight-ind.com](http://www.knight-ind.com) or contact a Knight representative.

DESCRIPTION	WEIGHT
2-Button Electric	3.0 lbs. [1.36kg]
2-Button Pneumatic	3.2 lbs. [1.45kg]
3-Button Electric	3.4 lbs. [1.54kg]
3-Button Pneumatic	3.5 lbs. [1.63kg]
4-Button Electric	3.7 lbs. [1.68kg]
4-Button Pneumatic	4.0 lbs. [1.81kg]

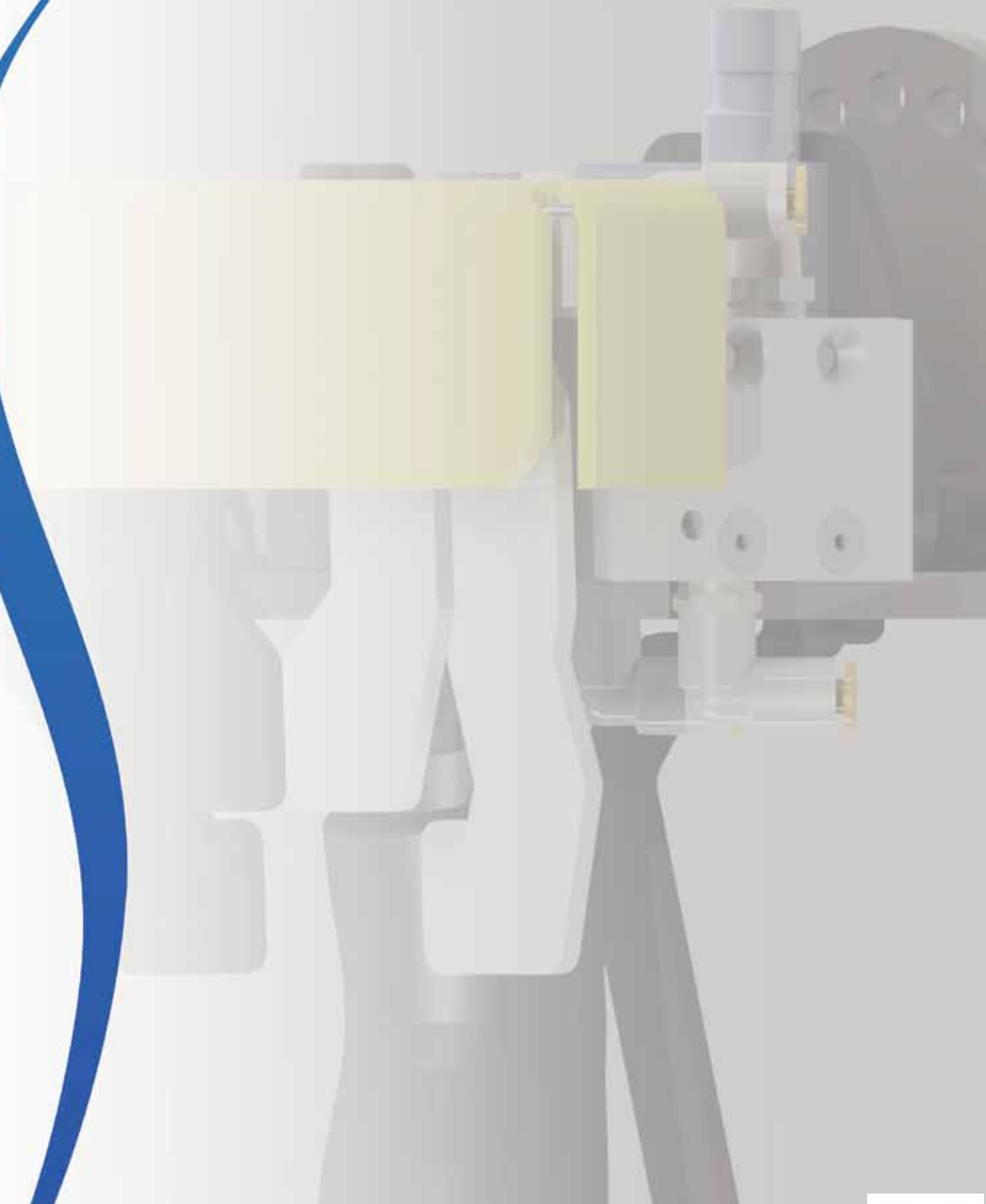
## Pneumatic/ Electric Valve Operation



W/ TRIGGER	WEIGHT
2-Button Electric	3.1 lbs. [1.41kg]
2-Button Pneumatic	3.3 lbs. [1.50kg]
3-Button Electric	3.6 lbs. [1.63kg]
3-Button Pneumatic	3.7 lbs. [1.68kg]
4-Button Electric	3.8 lbs. [1.72kg]
4-Button Pneumatic	4.3 lbs. [1.95kg]



# Control Handles



**KNIGHT GLOBAL**  
CREATING A NEW STANDARD



MATERIAL HANDLING  
INDUSTRY  
OF AMERICA®

Member Company  
Made With Pride In The USA



**KNIGHT GLOBAL**

1140 Centre Road  
Auburn Hills, MI 48326 USA  
Phone: (248) 377-4950  
Fax: (248) 377-2135  
[www.knight-ind.com](http://www.knight-ind.com)

