

SAFETY CABLE INSTALLATION INSTRUCTIONS

1.0: THREADING SAFETY CABLE

Components Required

Crosby clips, thimbles (for loads exceeding 200 lbs. [91 kg.]

¼" galvanized aircraft cable (Federal spec. #RR-W-410D, meeting military spec. #MIL-W-83420D for dimensional tolerance and strength).

Threading Procedure

- STEP 1. Slide thimbles together as shown in (Figure 1) below.
- STEP 2. Turn back a minimum of 4 .00" (100 mm) of the ¼" cable rope on the thimble or loop as shown in (Figure 2) below.
- STEP 3. Apply first Crosby clip 1.00" (25 mm) from "dead" end of rope. Apply U-bolt over "dead" end of wire rope - "live" end rests in Crosby Clip saddle. Tighten nuts evenly, alternating from one nut to the other until reaching a maximum torque achievable using a hand held wrench. (Torque must exceed a minimum of 7 ft./lbs.)
- STEP 4. Apply the second Crosby clip as near the thimble or loop as possible. Apply U-bolt over "dead" end of wire rope - "live" end rests in Crosby Clip saddle. Tighten nuts evenly, alternating from one nut to the other until reaching a maximum torque achievable using a hand held wrench. (Torque must exceed a minimum of 7 ft./lbs.)

NOTE: Distance between the two Crosby Clips should not exceed one Crosby Clip width. If both the Crosby Clips are assembled next to each other, it does not affect the strength of the fastening system.

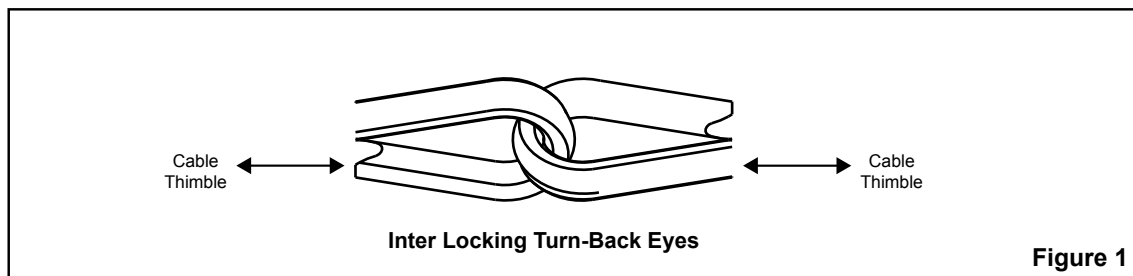


Figure 1

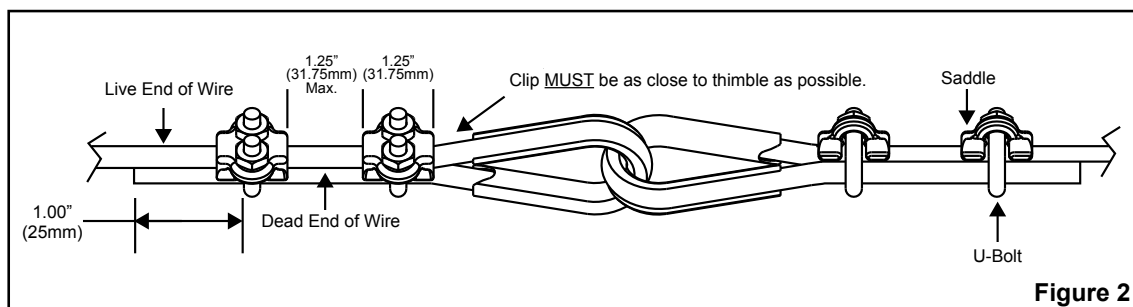


Figure 2

SAFETY CABLING COMPONENTS INSTALLATION



⚠ NOTE

- Do not overlap cable ends. Use eye method with thimbles. See Figure 3-82.
- Finished safety cable assembly should be as snug as possible to minimize the load drop.

Hangers (See Figure 3-83.)

- Step 1. Insert cable under Hanger in bracket channel of rail and over structural beam.
- Step 2. Feed cable under hanger tap plate located underneath top channel lip, and over structural beam.

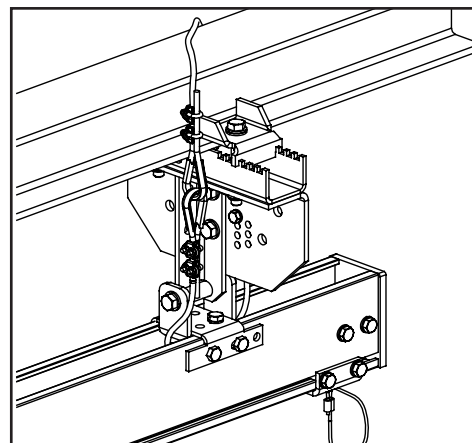


Figure 3-83 Hangers

Trolleys (See Figure 3-84.)

Any accessory attached to trolley must be safety cabled to trolley. Trolleys attached to carriage frame must be safety cabled.

- Step 1. Insert cable through center hole of trolley.
- Step 2. Feed cable through carriage frame or fixture.

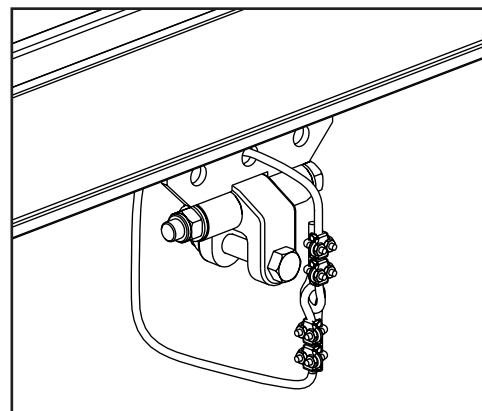


Figure 3-84 Trolleys

End Trucks (See Figure 3-85.)

- Step 1. Verify End truck is pre-cabled. End trucks should have cable pass under rail bracket.
- Step 2. Insert cable under hanger in bracket channel of rail and over structural beam.
- Step 3. Feed cable under hanger tap plate located underneath top channel lip.

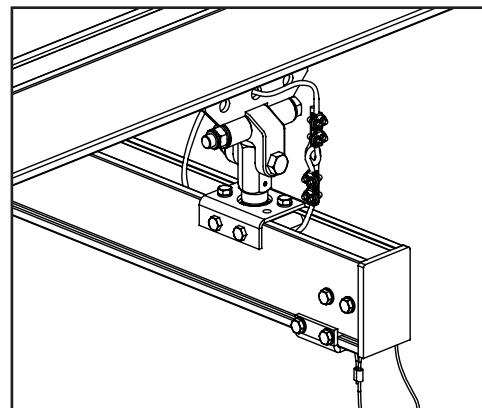


Figure 3-85 End Trucks

SAFETY CABLING COMPONENTS INSTALLATION

Rigid End Trucks (See Figure 3-86.)

- Step 1. Insert cable through bottom center hole of each trolley and feed through end hole of cross bracket.
- Step 2. Use top rail mounting bracket as template to mark rail and drill four (4) holes on each end of mounting bracket, using 13/32 in (11mm) drill bit. Do not attempt to drill holes in-line.
- Step 3. Feed cables through holes drilled in rail. Insert cable through mounting bracket.

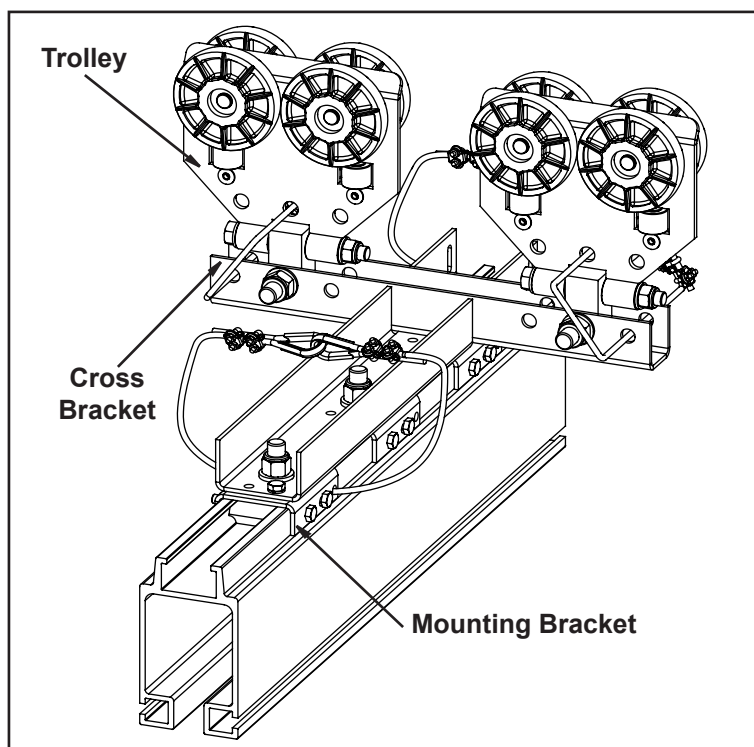


Figure 3-86 Rigid End Trucks

Same Plane End Trucks (See Figure 3-87.)

- Step 4. Insert cable through bottom center hole of each trolley and feed through hole of back plate on same plane assembly.
- Step 5. Use top rail mounting bracket as template to mark rail and drill four (4) holes on each end of mounting bracket, using 13/32 in (11mm) drill bit. Do not attempt to drill holes in-line.
- Step 6. Feed cables through holes drilled in rail. Insert cable through outer mounting bracket.

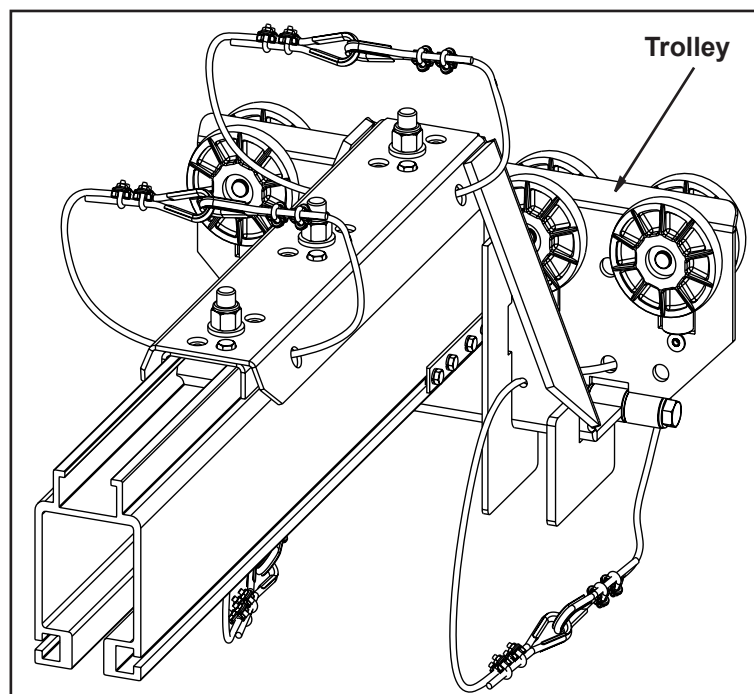


Figure 3-87 Same Plane End Trucks