

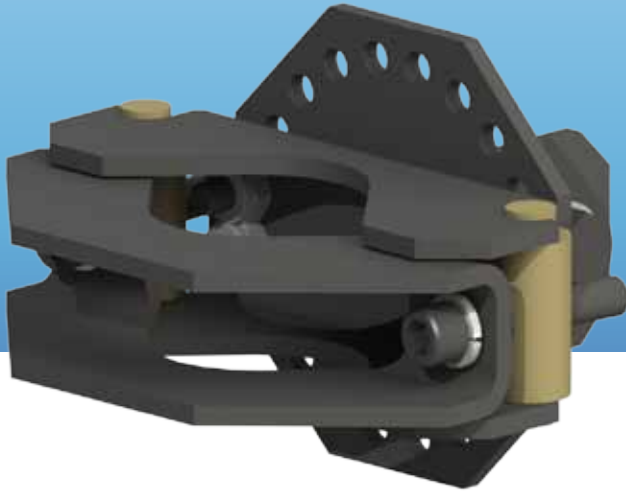
Torque Tube Tool Holders

Knight Global's ASA9500 and ASA9501 clamps allow users to resize the tool holder to accommodate a wide variety of tools. The ASA9500 and ASA9501 tool holders are adjustable for vertical or horizontal tool orientations.

Knight's ASA9518 clamp allows users to rotate the torque tube 360 degrees to accommodate a wide variety of angles.

The ASA9500 adjusts in 30 degree increments.

The ASA9501 adjusts in 18 degree increments.



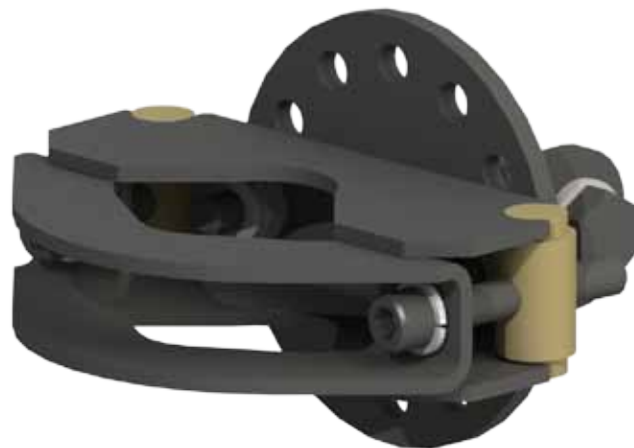
ASA9500 Product Weight: 2.0 lbs. [0.91kg]

ASA9501 Product Weight: 4.1 lbs. [1.86kg]

ASA9518 Product Weight: 4.0 lbs. [1.81kg]

Tool Holder Features


- Accommodates a wide variety of angles.
- Adjustable for vertical or horizontal tool orientations.
- ASA9500 Fits Tool Sizes: 1.13 in. [28.7mm] to 1.75 in. [44.45mm]
- ASA9501 Fits Tool Sizes: 1.75 in. [44.45mm] to 2.25 in. [57.15mm]
- ASA9518 Fits Tool Sizes: 1.00 in. [25.4mm] to 2.44 in. [61.98mm]

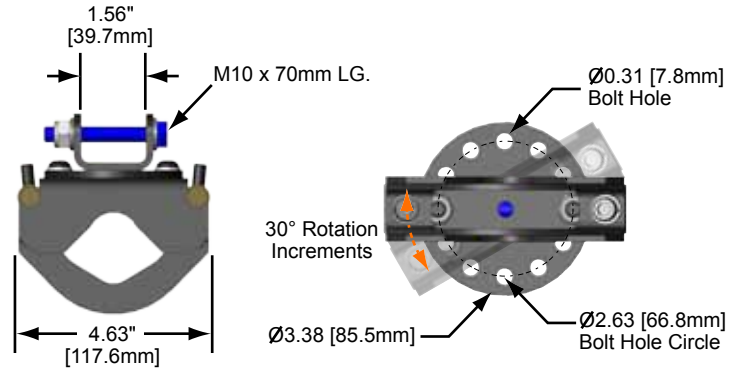



For more information, please contact a Knight Global representative.

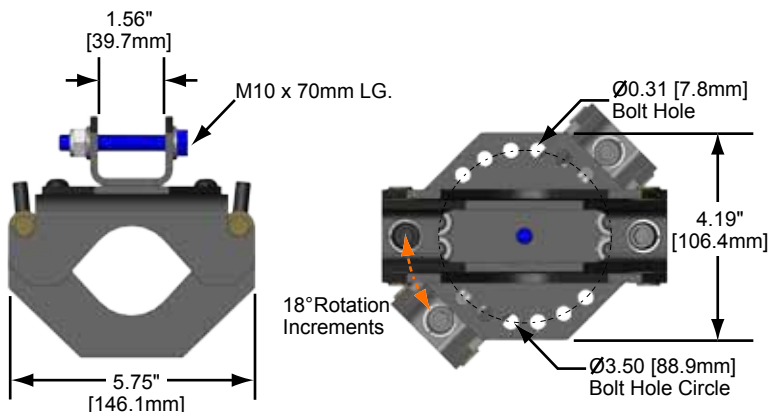



Torque Tube Tool Holders

TOOL SIZES	Part #	TOOL HOLDER
1.13"-1.75" [28.70mm-44.45mm] Adjustable Clamp	ASA9500	



TOOL SIZES	Part #	TOOL HOLDER
1.75"-2.25" [44.45mm-57.15mm] Adjustable Clamp	ASA9501	



TOOL SIZES (A)	Part #	TOOL HOLDER
1.00"[25.4mm] Dia. Clamp	ASA9518-1.00	 1.00" - 2.44" (1/16" Increments) FREE ROTATION
1.13"[28.70mm] Dia. Clamp	ASA9518-1.13	
1.19"[30.22mm] Dia. Clamp	ASA9518-1.19	
1.25"[31.75mm] Dia. Clamp	ASA9518-1.25	
1.31"[33.27mm] Dia. Clamp	ASA9518-1.31	
1.38"[35.05mm] Dia. Clamp	ASA9518-1.38	
1.44"[36.57mm] Dia. Clamp	ASA9518-1.44	
1.50"[38.10mm] Dia. Clamp	ASA9518-1.50	
1.56"[39.62mm] Dia. Clamp	ASA9518-1.56	
1.63"[41.40mm] Dia. Clamp	ASA9518-1.63	
1.69"[42.67mm] Dia. Clamp	ASA9518-1.69	
1.75"[44.45mm] Dia. Clamp	ASA9518-1.75	
1.81"[45.97mm] Dia. Clamp	ASA9518-1.81	
1.88"[47.75mm] Dia. Clamp	ASA9518-1.88	
1.94"[49.27mm] Dia. Clamp	ASA9518-1.94	
2.00"[50.8mm] Dia. Clamp	ASA9518-2.00	
2.13"[56.10mm] Dia. Clamp	ASA9518-2.13	
2.19"[55.63mm] Dia. Clamp	ASA9518-2.19	
2.25"[57.15mm] Dia. Clamp	ASA9518-2.25	
2.31"[58.67mm] Dia. Clamp	ASA9518-2.31	
2.38"[60.45mm] Dia. Clamp	ASA9518-2.38	
2.44"[61.98mm] Dia. Clamp	ASA9518-2.44	

